

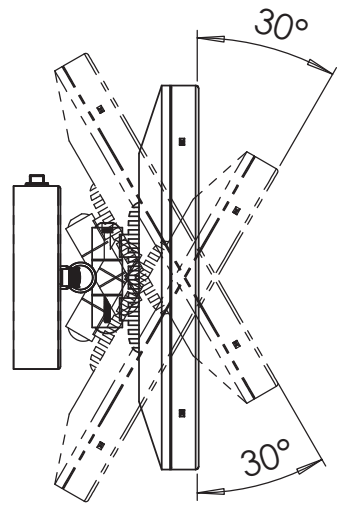


Catalog Number: **BSR-301**

# Baci At Home



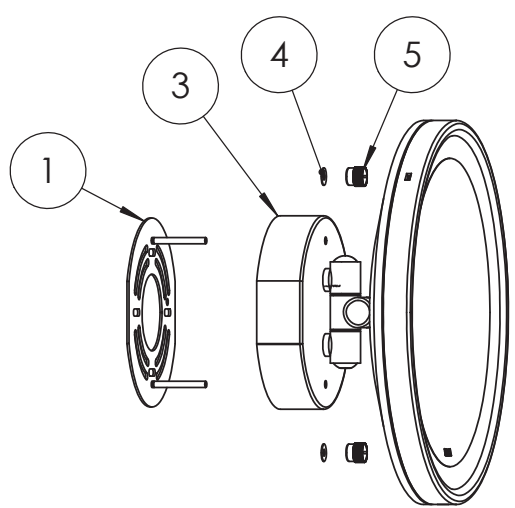
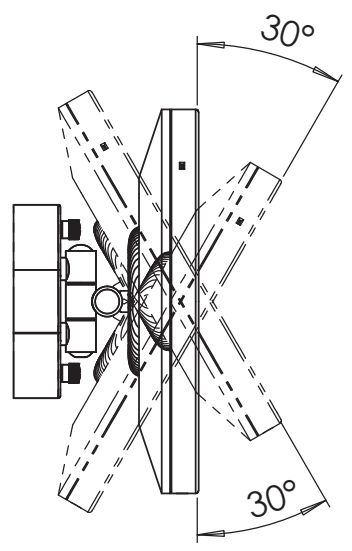
Top view  
Mirror tilts left and right



### Installation

- 1) Attach the backplate to the outlet box
- 2) Connect wires - green to ground, white to neutral and black to line
- 3) Place the mirror over the screws on the backplate
- 4) Place the plastic washers over the screws
- 5) Secure the mirror with the two canopy knobs

Side view  
Mirror tilts up and down



### **BSR-301 — Tilt Swivel Wall Mirror**



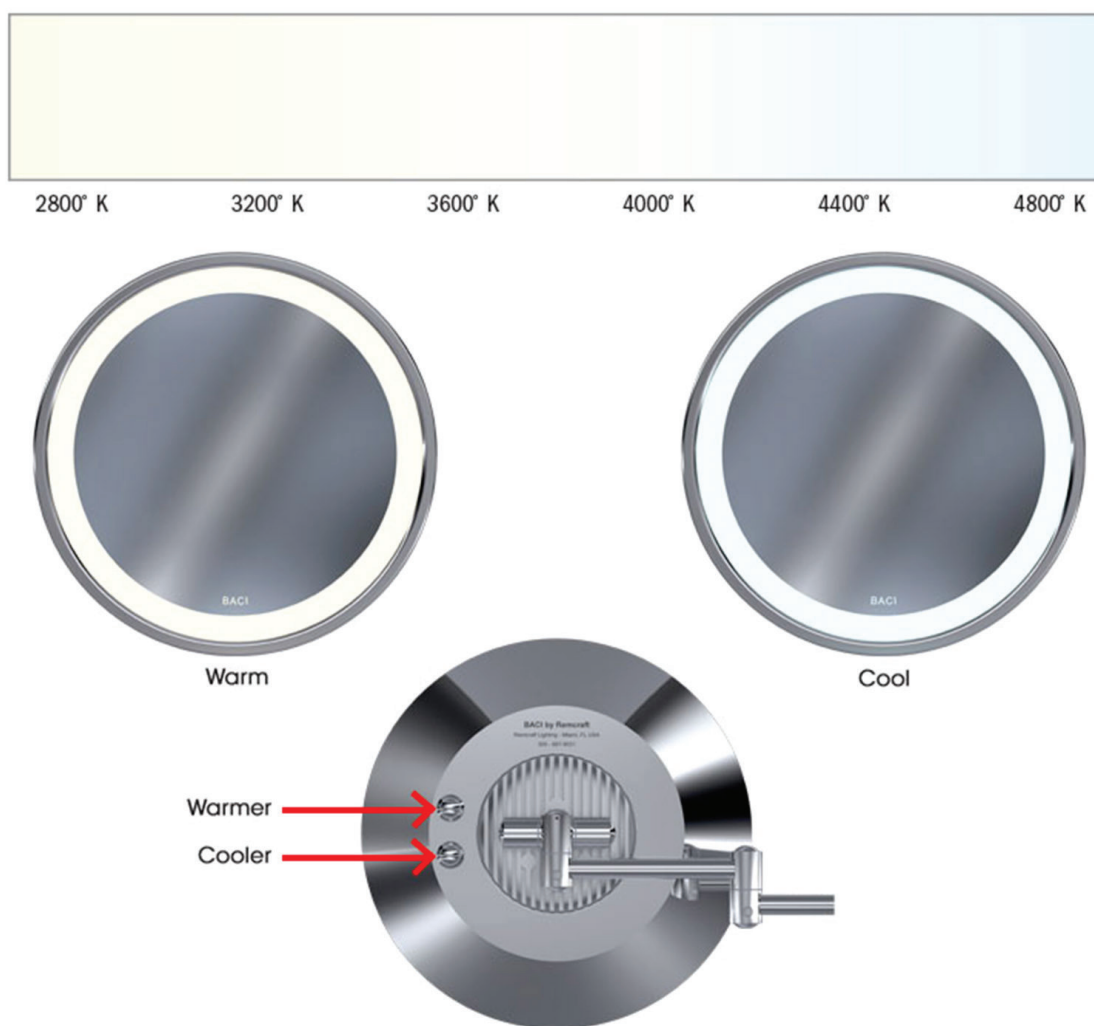
<b>Product Category</b>	Baci Senior Mirrors
<b>Special Features</b>	Solid brass construction Optical quality 5X or 7X glass mirrors High power, natural white LED lighting 5 year warrantee
<b>Lighting</b>	Halo Light - High Power LED
Lumens	766
Color Temperature	3500° K
Color Rendering Index	min. 80
<b>Electrical</b>	
Watts	9
Volts	100-240
Hertz	50/60
Amps	.22
<b>UL Listing</b>	Furnishing - suitable for commercial or residential use in damp locations (US\IC)
<b>Dimensions</b>	Mirror body 10" diameter Canopy 4 3/4" wide x 5" high Projection 4 3/4"
<b>Basic Model</b>	BSR-301-CHR
<b>Body Types</b>	All metal body
<b>Magnification</b>	5X 7X
<b>Finish Options</b>	
Standard	Chrome
Premium	Satin Nickel, Bronze or Brass
Custom	Polished Nickel, Copper Antique Brass, etc
Gold	24KT Gold, Kohler Vibrant Brushed Bronze, etc.

## BSR Shades of Light

Baci Senior LED Mirrors are available with an optional feature that allows the user to adjust the color of the light output from the soft warm shades of an incandescent lamp to the bright cool white of the noon sky (2800° K to 4800° K). Thus you can apply your make-up to look your best in any environment – from a candlelit dinner to a snowy ski run.

To alter the hue of the light, simply press one of the buttons on the back of the mirror. The top button makes the color warmer and the bottom button makes it cooler. To change the light in small increments, tap the button. If you hold the button down it will change continuously as it cycles through the full extent of the range in the direction selected. When the light reaches the end of its range, press the other button to smoothly transition in the opposite direction. Do not press both buttons at the same time.

The mirror's built in memory feature remembers your last color setting prior to being turned off and starts at that setting when you turn it back on.



**Note:** Due to variations in screen calibrations and printer technology, the colors shown are approximate.