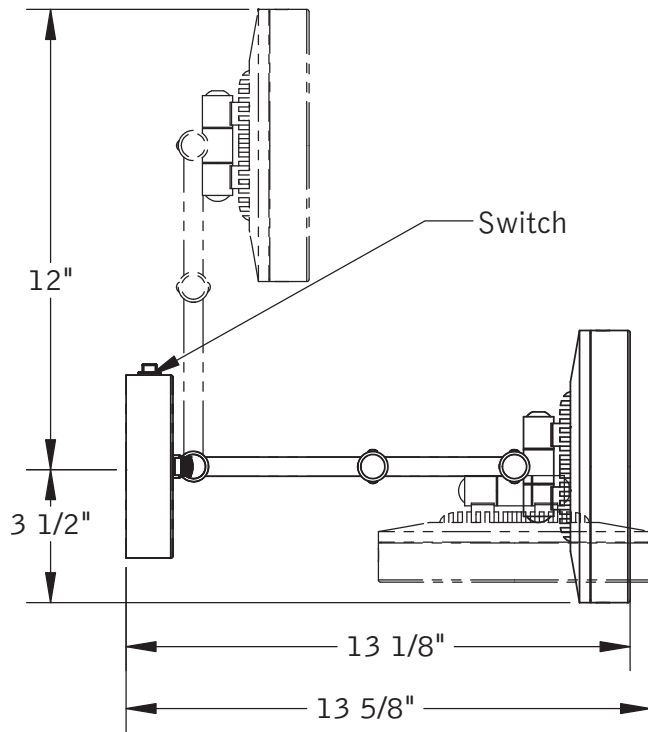


Catalog Number: **BJR-10**

Baci At Home

BJR-10

Top view



Installation

- 1) Attach backplate to the outlet box
- 2) Connect wires - green to ground, white to neutral and black to line
- 3) Slide canopy over the screws protruding from the backplate
- 4) Secure with trim nuts

